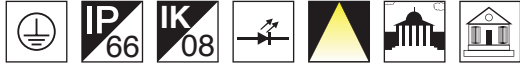


Venus Grand 10/20/30/50/70/100W

Energy saving, environmental friendly, long life, exclusive innovative Thermoplastic IP66 flood light, suitable for highlighting architectural facade and general purpose lighting. 5 year Guarantee & suitable for Coastal Installations.



PRODUCT SPECIFICATIONS

Features & Benefits

- Delivers excellent illumination & comfort
- High performance electronic driver ensures zero maintenance
- No harmful UV & IR radiations
- Environment friendly as it does not contain Mercury
- Instant light with low running temperatures
- Operating temperature: -10°C to +45°C
- Operating voltage range: 170-270 V
- Surge Protection Information – 4 KV
- LED Average Life : 50000 hours

Housing & Finish

Thermoplastic housing in Black finish.

Light source

High efficiency long life LED module with SMD LED package & Lumen efficacy of LED ≥ 140 lm/W.

Lens & Cover

High efficiency polycarbonate cover with integrated Lens to ensure symmetrical light distribution.

Electronic driver

Electronic driver Built-In electronic LED driver with Open Circuit Protection, Over Voltage Protection & Surge Voltage Protection.

Mounting

Wall or surface mounting using adjustable MS cradle provided with the fixture by 2 elliptical slots.

Applications

Sign boards
Building & monuments
Bill board
Shop board

DAYLIGHT
LIGHTING

PREMIUM LIGHTING FOR HOUSEHOLD,
INDUSTRIAL & COMMERCIAL APPLICATIONS

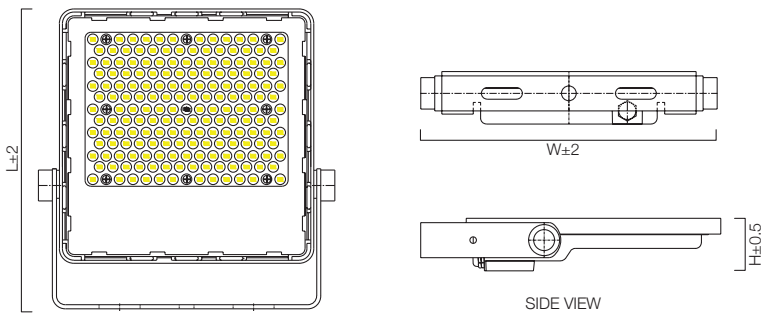
Daylight Lighting (Pty) Ltd
Distribution throughout South Africa and Africa

Offices in: Port Elizabeth (Head Office), Cape Town, Johannesburg, Durban and Bloemfontein
Tel: +27 (0) 41 484 3330 | Web: www.daylightlighting.co.za | Email: sales@daylightlighting.co.za

TECHNICAL DATA

SAP Code	System Power (W)	Nominal Voltage (V)	Mains Current (A)	Power Factor	Colour Temp. CCT (K)	CRI (Ra)	System Lumens (lm)	Colour of Fixture
LOEPBSU7P46K010	10	230	0.050	≥0.95	6000 K	>80	1100	Pantone Black C
LOEPBSU7P46K020	20	230	0.100	≥0.95	6000 K	>80	2200	Pantone Black C
LOEPBSU7P46K030	30	230	0.140	≥0.95	6000 K	>80	3300	Pantone Black C
LOEPBSU7P46K050	50	230	0.240	≥0.95	6000 K	>80	5500	Pantone Black C
LOEPBSU7P46K070	70	230	0.330	≥0.95	6000 K	>80	7700	Pantone Black C
LOEPBSU7P46K100	100	230	0.470	≥0.95	6000 K	>80	11000	Pantone Black C

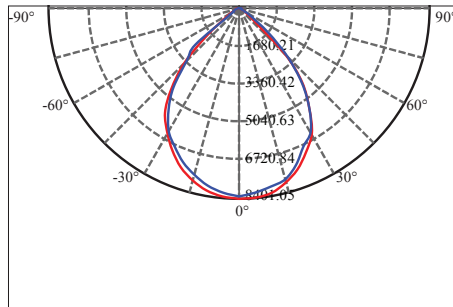
TECHNICAL DRAWING



DIMENSION

System Power	Length (L)	Width (W)	Height (H)	Mounting Hole Distance (d) (in mm)
10 W	140	137	33	70
20 W	176	162	38	85
30 W	195	188	40	100
50 W	256	250	45	115
70 W	308	294	45	115
100 W	385	355	47	210

All dimensions are in mm
Tolerance: ± 5 mm



Specifications are subject to change without prior notice due to continuous up-gradation of technology.

Issue Date: 29th April, 2019
IBD