



HAVELLS

HALO



HAVELLSenviro

Solar Landscape Lighting

DAYLIGHT
LIGHTING


PREMIUM LIGHTING FOR HOUSEHOLD,
INDUSTRIAL & COMMERCIAL APPLICATIONS

Daylight Lighting (Pty) Ltd
Distribution throughout South Africa and Africa

Offices in: Port Elizabeth (Head Office), Cape Town, Johannesburg, Durban and Bloemfontein
Tel: +27 (0) 41 484 3330 | Web: www.daylightlighting.co.za | Email: sales@daylightlighting.co.za

I. Product Description & Summary

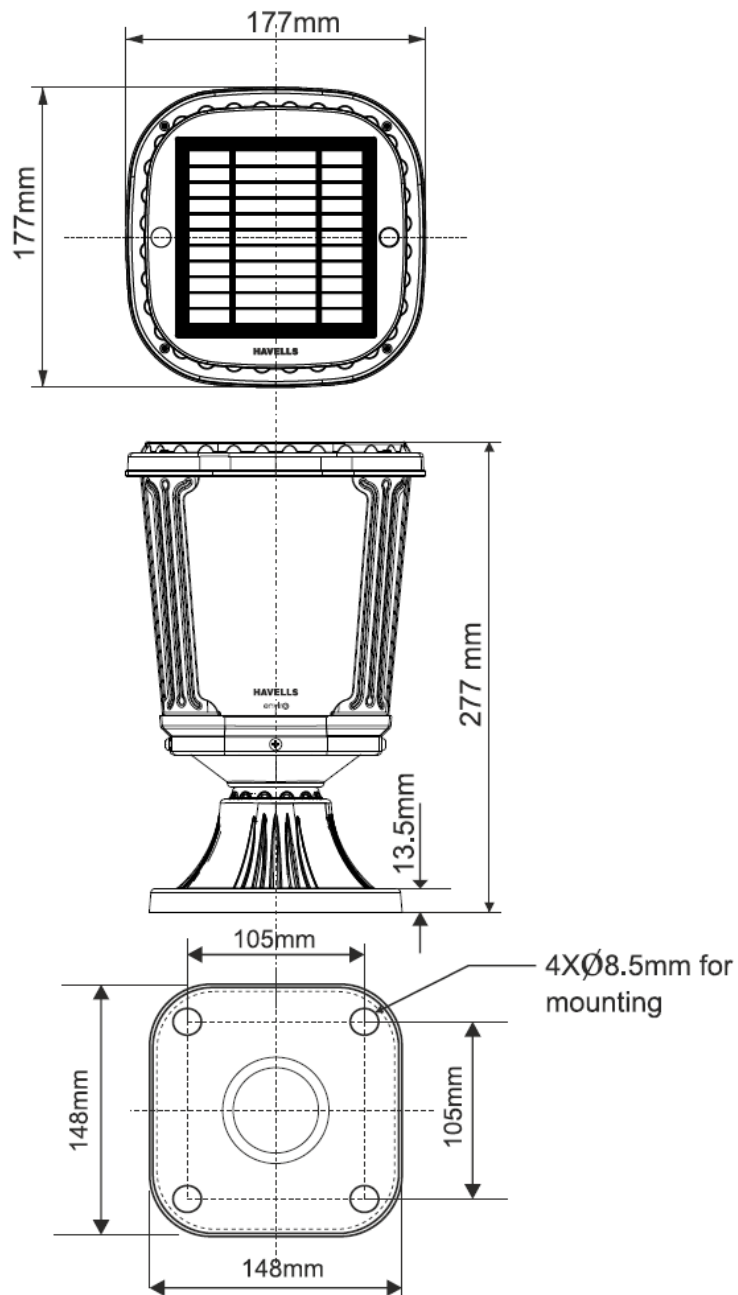
The following is the brief description of the System:

| | |
|---|---|
| <p>Topology</p>  | <p>Halo Solar Gate Light is the next generation eco-friendly and self-charging luminaire with an elegant look & Integrated Solar Panel consists of aluminium alloy housing stand and Polycarbonate diffuser, Cool White Light CCT of 5700 K ~ 6500 K, Waterproof and highly durable for safe operation with a maintenance-free integrated Lithium-ion battery. The Luminaire is dust and splash-proof design with IP 65 protection and provision for special dimming level selections. A camouflaged Push-button switch is provided in the luminaire for Lighting mode selection and for switching off for a longer period of no use. Hassle-free wireless installation of the luminaire. It automatically Turns on at Night and Turns off at dawn. PV Module is fixed on the Top of the Luminaire with highly efficient electronics/BMS system to full charge the luminaire around 9 hours in fully bright condition. Easy installation through 4 nos. of holes on the base flange of the luminaire on a solid concrete surface through M10 Screws/ stems. It can be used for lighting up pillar gate, garden, backyard and the front of the home.</p> |
|---|---|

II. Technical Specifications

| | |
|-----------------------------------|---|
| Rated Power | 1.6 W LED |
| LED Efficiency | > 77% |
| LED Make | 28 Nos. OSRAM |
| LED Beam angle | 120° |
| Color Temperature | 5250 K-6500K |
| Lighting Output | 100Lumens |
| Life Span | > 50000 hours |
| CRI | > 70 Ra |
| Driver | In Built DC- DC type PWM with >90% efficiency |
| Body (Housing) | PDC Al Alloy & Injection Molded PC housing & PC Top Cover |
| Dust and Water protection | IP 65 |
| Indicator LED | <ul style="list-style-type: none"> Red LED : Indicates Lighting Setting Mode 1 Green LED: indicates Lighting Setting Mode M2 |
| Temperature | Charging Temp. 0-45 Degree, Working Temp. during lighting 0 to+45 Degree, |
| Other protections | Over-Charge protection, deep-discharge protection& Short circuit protection |
| Lighting Mode | Red Indicator: Mode M1 : 100 lumens for 5Hrs + 25 lumens till dawn and Green Indicator: Mode M2: 50 lumens dim lighting till dawn |
| Lighting Time Setting Push Button | <ul style="list-style-type: none"> Long Press Push Button (3 Seconds) for Switch ON/OFF. Once Luminaire is Switch on it will be on Default M1 Mode. Short press the button to select mode or to know the running mode. |
| Solar Panel Capacity | 1.6 Wp, 3V Poly Crystalline |
| Solar cell efficiency | Minimum 15 % 10years Life span |
| Battery Type & Capacity | BIS approved 3.75V/9.25Wh Maintenance free Lithium Ion battery |
| Charging Time | 8-9 Hours Bright Day Light |
| Installation | Ground Mounted through 3x M10 screws/stem on a solid surface |
| Color | Black |
| Warranty | 1year |
| Product Dimensions (WXBXH) | 177X177X277mm |

II. Product Dimensions



Havells India Limited

QRG Tower, 2D,
Sector 126 Noida – 201 304

DAYLIGHT
LIGHTING

PREMIUM LIGHTING FOR HOUSEHOLD,
INDUSTRIAL & COMMERCIAL APPLICATIONS

Daylight Lighting (Pty) Ltd
Distribution throughout South Africa and Africa

Offices in: Port Elizabeth (Head Office), Cape Town, Johannesburg, Durban and Bloemfontein
Tel: +27 (0) 41 484 3330 | Web: www.daylightlighting.co.za | Email: sales@daylightlighting.co.za